



SUPERDECK SERIES 8" DECK HEIGHT DISPLAY GAS PIZZA OVENS SERIES: Y-DSP



Bakers Pride® Y-DSP series deck ovens feature the largest profile of our display ovens and is perfect for high-volume pizza and all-purpose baking operations. These models are designed to be built in behind a decorative facade of brick, stone, or tile. Front and side skirts allow tile or stone to be easily installed around the legs, while a dome top accent finishes off the old-world look. You also have the choice to simply display the oven in stainless steel or finish with black powder-coated control panel and doors with hardwood handles for an elegant touch.

Models are available in your choice of Lightstone Fibrament decks with an 8" deck height or brick-lined decks, which offer faster baking and recovery times and deck height of 7.5". This series also features independently controlled top and bottom heat dampers to ensure perfectly balanced results. Choose from two different deck areas and overall oven widths (78" or 84") to suit your needs.

The Y-DSP is constructed with heavy-duty angle iron frame, which is fully welded to allow for double-stacking. Oven exteriors are all heavy-duty stainless steel and are fully insulated for cooler outer temperatures and consistent interior temperatures.

Options are available to accommodate the configuration of your kitchen, such as side-mounted controls and special-height legs.

FEATURES AT A GLANCE

- 120,000 total BTUH with natural or LP gas
- 300–650°F (148–343°C) temperature range
- Choose deck area: 60" x 36" or 66" x 44"
- Choose overall width: 78" or 84"
- 2" (51 mm) thick Lightstone fibrament or brick-lined decks
- 8" (203 mm) deck height (7.5" (191 mm) for brick-lined)
- Stackable
- Independently controlled top and bottom heat dampers
- Front- or side-mounted gas controls with valve, regulator, and pilot safety
- Heavy-duty, slide-out flame diverters
- All stainless steel exteriors, aluminized steel interiors
- Choose stainless steel or trimmed with black-powder-coated control panel and doors with hardwood handles
- Front and side skirts for mounting tile or stone
- Spring-balanced, fully insulated doors
- Left-side or rear 3/4" (19 mm)

- NPT gas connection
- Fully insulated throughout
- Two-year limited warranty

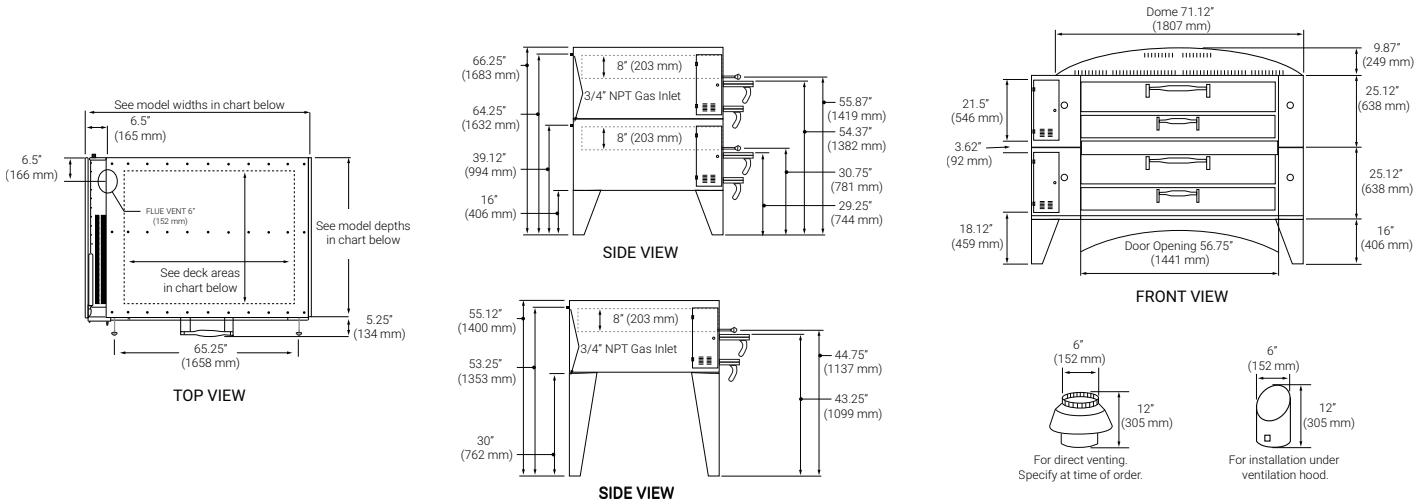
OPTIONS & ACCESSORIES

- Special-height legs (per set of four)
- Draft flue for direct vent
- Automatic oven starter (comes with 120v plug)
- Side-mounted controls (Specify when ordering.)
- Deck brush and scraper with long wood handle
- Stainless steel wood chip box
- Legs with casters
- Cordierite or steel decks
- Heavy-duty steel legs finished with durable Bakertone
- Dome top accent



SUPERDECK SERIES 8" DECK HEIGHT DISPLAY GAS PIZZA OVENS SERIES: Y-DSP

EQUIPMENT DIMENSIONS



MECHANICAL SPECIFICATIONS

Model #	Overall Dim** (W x H x D)	Total BTUH	kW	Deck Height	Deck Size	Decks	Baking Chambers	Thermostat Range	Carton Dim (W x H x D)	Cubic Feet	Cubic Meter	Ship Wt.*
Y-600-DSP	78" x 55.12" x 43" (1981 x 1400 x 1092)	120,000	35.15	8" (203)	60" x 36" (1524 x 914)	1	1	300°-650°F (149-343)	31" x 82" x 53" (787 x 2083 x 1364)	76	2.4	1338 (607kg)
Y-602-DSP	78" x 66.25" x 43" (1981 x 1683 x 1092)	240,000	70.3	8" (203)	60" x 36" (1524 x 914)	2	2	300°-650°F (149-343)	*	*	*	2676 (1214kg)
Y-600BL-DSP†	78" x 55.12" x 43" (1981 x 1400 x 1092)	120,000	35.15	7.5" (191)	60" x 36" (1524 x 914)	1	1	300°-650°F (149-343)	31" x 82" x 53" (787 x 2083 x 1364)	76	2.4	1338 (607kg)
Y-602BL-DSP†	78" x 66.25" x 43" (1981 x 1683 x 1092)	240,000	70.3	7.5" (191)	60" x 36" (1524 x 914)	2	2	300°-650°F (149-343)	*	*	*	2676 (1214kg)
Y-800-DSP	84" x 55.12" x 51" (2134 x 1400 x 1295)	120,000	35.15	8" (203)	66" x 44" (1676 x 1118)	1	1	300°-650°F (149-343)	31" x 86" x 60" (787 x 2184 x 1524)	78	2.8	1542 (699kg)
Y-802-DSP	84" x 66.25" x 51" (2134 x 1683 x 1295)	240,000	70.3	8" (203)	66" x 44" (1676 x 1118)	2	2	300°-650°F (149-343)	*	*	*	3084 (1399kg)
Y-800BL-DSP†	84" x 55.12" x 51" (2134 x 1400 x 1295)	120,000	35.15	7.5" (191)	66" x 44" (1676 x 1118)	1	1	300°-650°F (149-343)	31" x 86" x 60" (787 x 2184 x 1524)	78	2.8	1542 (699kg)
Y-802BL-DSP†	84" x 66.25" x 51" (2134 x 1683 x 1295)	240,000	70.3	7.5" (191)	66" x 44" (1676 x 1118)	2	2	300°-650°F (149-343)	*	*	*	3084 (1399kg)

*Each oven ships in separate carton as do the legs. Refer to the single unit for carton specs. Shipping weight shown includes all decks and legs.

**Height includes 30" (762 mm) legs on single units and 16" (406 mm) on stacked units. Height excludes 9.87" dome accent.

†BL in model # represents a brick-lined model

Bakers Pride reserves the right to modify specifications or discontinue models without incurring obligation. Dimensions nominal.



GAS CONNECTIONS

3/4"
Each deck requires a separate gas connection

Freight Class: 77.5
FOB Smithville 37166

REQUIRED CLEARANCES

	Non-Combustible Construction	Combustible Construction
Left	0" (0 mm)	1" (25 mm)
Right	0" (0 mm)	3" (76 mm)
Back	2" (51 mm)	3" (76 mm)

