



## HEARTHBAKE SERIES COUNTERTOP ELECTRIC OVENS

### SERIES: PX



The Bakers Pride® PX series oven is designed for warming and finishing a variety of precooked items, such as hot wings and pizza and pretzels with prebaked crust. Models are available in two different widths and offer a 3" deck height. Other features include independent top and bottom heat control, a slide-out wire baking rack, and a 15-minute, electric timer with continuous-ring alarm and manual shut-off. All models come with stainless steel exteriors and 1" black legs. International voltages are available.

#### FEATURES AT A GLANCE

#### OPTIONS & ACCESSORIES

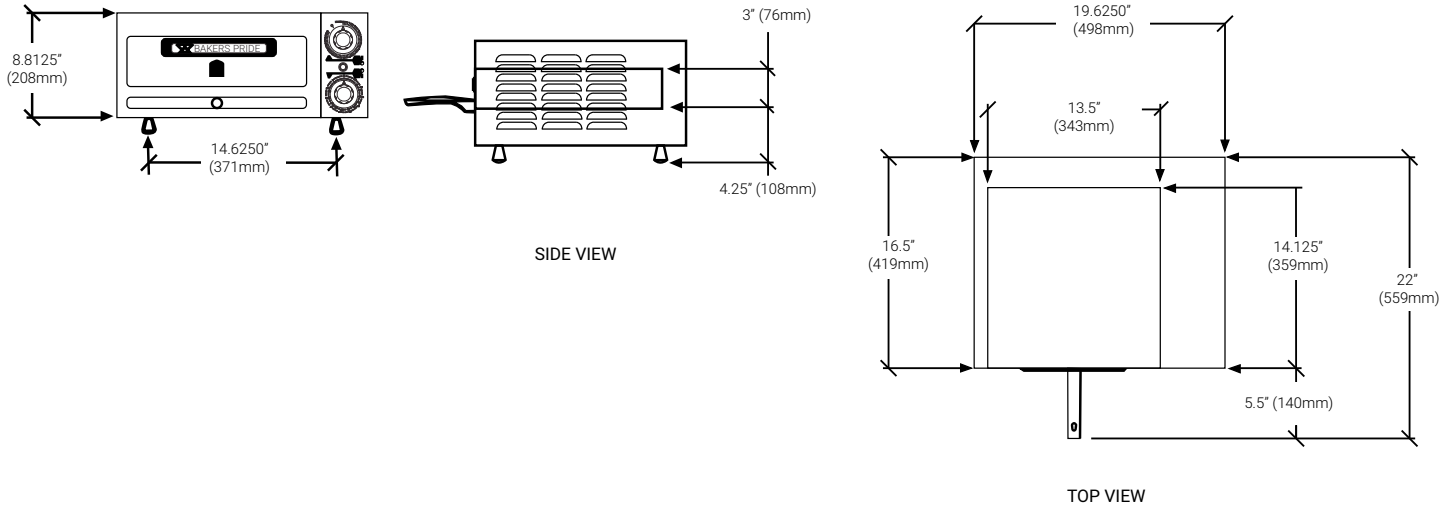
- 1500 or 1800 watts
- 19.62" or 24" widths
- 284–680°F (140–360°C) temperature range
- 15-minute electric timer with continuous-ring alarm and manual shut-off
- Independent top and bottom controlled incoloy heating elements
- 3" (76 mm) deck height
- One wire rack with handle
- Pull-out steel crumb tray
- All stainless steel exterior
- 1" (25 mm) black phenolic legs
- One high-heat, fully welded, aluminized steel baking chamber
- Fully insulated
- 6' (1829 mm) cord and plug
- One-year limited warranty



# HEARTHBAKE SERIES COUNTERTOP ELECTRIC OVENS

## SERIES: PX

### EQUIPMENT DIMENSIONS



### MECHANICAL SPECIFICATIONS

| Model # | Overall Dim (W x H x D)*                 | Deck Height | Rack Size (W x D)           | Decks | Baking Chambers | Thermostat Range       | Carton Dim (W x H x D)            | Cubic Feet | Cubic Meter | Ship Wt.  |
|---------|--|-------------|-----------------------------|-------|-----------------|------------------------|-----------------------------------|------------|-------------|-----------|
| PX-14   | 19.62" x 8.18" x 16.5" (498 x 208 x 419) | 3" (76kg)   | 13.25" x 13.87" (337 x 352) | 1     | 1               | 284°-680°F (140-36°C)  | 24" x 12" x 22" (610 x 305 x 559) | 3.7        | .11         | 49 (22kg) |
| PX-16   | 24" x 8.18" x 20.5" (610 x 208 x 521)    | 3" (76kg)   | 17.62" x 17.87" (448 x 454) | 1     | 1               | 284°-680°F (140-360°C) | 30" x 12" x 26" (762 x 305 x 660) | 5.4        | .16         | 69 (31kg) |

\*Height excludes legs, depth excludes handle

### POWER SUPPLY

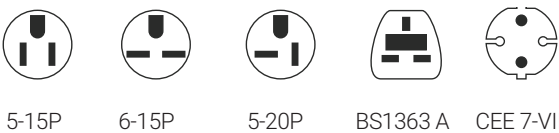
| Model # | Watts | Voltage | Phase | Amps | Plug Style |         |          |
|---------|-------|---------|-------|------|------------|---------|----------|
|         |       |         |       |      | USA        | UK      | Europe   |
| PX-14   | 1500  | 120     | 1     | 12.5 | 5-15P      | N/A     | N/A      |
|         | 1500  | 208/240 | 1     | 7.2  | 6-15P      | BS1363A | CEE7-VII |
| PX-16   | 1800  | 120     | 1     | 15.0 | 5-20P      | N/A     | N/A      |
|         | 1800  | 208/240 | 1     | 8.7  | 6-15P      | BS1363A | CEE7-VII |

### REQUIRED CLEARANCES

Left 3" (76 mm)  
 Right 3" (76 mm)  
 Back 3" (76 mm)

In European Community Countries and North America. In NON-COMBUSTIBLE locations only.

In European Community Countries only in COMBUSTIBLE locations. NOT for North America.



Freight Class: 100  
 FOB: Smithville 37166

Bakers Pride reserves the right to modify specifications or discontinue models without incurring obligation. Dimensions nominal.

