



AX-S12 ULTRA 12" Meat Slicer

PROJECT _____

ITEM _____

QUANTITY _____



FEATURES & BENEFITS

- High-quality, stylish, lightweight and compact space saving design
- Superior die-cast aluminum construction, Anodized aluminum alloy construction
- Easy to carry for catering needs, AX-S12 ULTRA is the most compact 12" slicer in the market
- The only ones in their class featuring a fan-cooled motor to avoid overheating
- Safety hand guard mounted to the carriage
- The easy, fast breakdown and the increased blade and machine body gap makes cleaning a breeze

Technical

- The slide shaft is made of ground, hard steel for a smoother operation
- The high-quality bushings and ball bearings are self-lubricating
- The dial thickness control cam system allows for an always precise cut

Safety

- A safety cover is placed under the motor and the electrical components
- The hopper features an exclusive heavy duty plastic protection to keep operator's hand at a safe distance from the blade while operating the slicer

Sanitary

- Easy to clean aluminum alloy construction does not crack or stain
- The carriage and the center plate are quickly removable without tools



Certified to UL Standard 763 and NSF Standard 08
Certified to CSA Standard C22.2



3560 NW 56th Street
Fort Lauderdale, FL, United States 33309
Telephone: 786.600.4687 / Toll Free: 844.218.8477
Fax: 786.661.4100

5659 Royalmount Ave.
Montreal, QC, Canada H4P 2P9
Telephone: 514.737.9701 / Toll Free: 888.275.4538
Fax: 514.342.3854 / Toll Free: 877.453.8832
sales@mvpgroupcorp.com / mvpgroupcorp.com

Motor

- Microswitch protection on cover blade; blade will stop when microswitch loses its contact to avoid any injury
- Thermo-protection to avoid motor burning

Top mounted double stone sharpener

- Built-in top mounted sharpener
- Double action sharpens in just seconds to obtain perfect results
- Removable for easy cleaning and sanitation

Specifications

Operation: Gravity feed

Construction: Die-cast aluminum / AX-S12 ULTRA anodized cast aluminum.

Knife: One piece, chromium plated 100Cr6 forged carbon steel blade

Sharpener: Built-in, removable two stone dual action

Slice thickness: Infinitely variable up to 1/2"

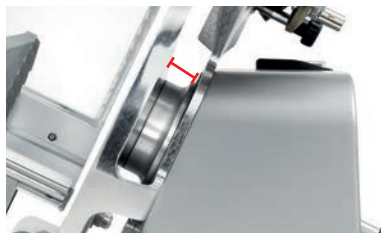
Motor: 0.50 Hp (185W), belt-driven, air-cooled

Electrical: 120V AC, 60Hz, 1.55 Amp

Plug & Cord: Attached, flexible, 3 wire SJT AWG 16, 6'4" long

Switch: ON/OFF Lighted Rocker Switch

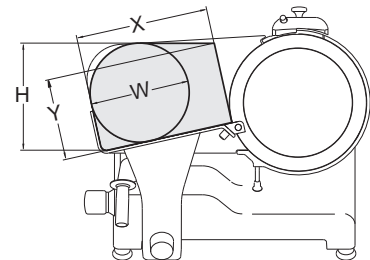
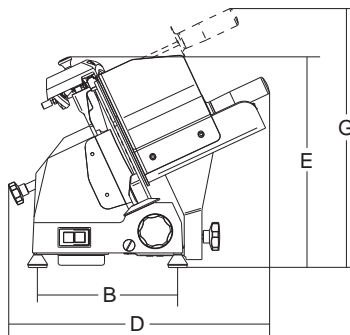
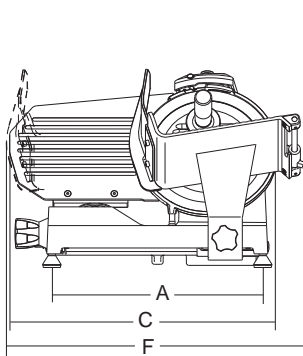
Warranty: 1 year parts and labor warranty



Wide gap between blade and body



Easy and fast breakdown for cleaning



	Ø Blade	Motor	Cut thickness	Blade rpm	Carriage stroke	Hopper	A	B	C	D	E	F	G	X	Y	H	W	Net weight	Shipping	Gross weight
	mm/inch	watt/Hp	inch.	rpm	inch.	inch.	inch.	inch.	inch.	inch.	inch.	inch.	inch.	inch.	inch.	inch.	inch.	lbs.	inch.	lbs.
AX-S12 ULTRA	300/12"	185-0.25	1/2"	335	9 5/8"	9 1/16" x 9 1/16"	15 9/16"	9 5/8"	19 11/16"	22 1/16"	14 9/16"	22 7/16"	18 11/16"	8 7/16"	5 11/16"	8 7/8"	7 1/2"	35	23 5/8" x 19 11/16" x 16 9/16"	40



3560 NW 56th Street
Fort Lauderdale, FL, United States 33309
Telephone: 786.600.4687 / Toll Free: 844.218.8477
Fax: 786.661.4100

5659 Royalmount Ave.
Montreal, QC, Canada H4P 2P9
Telephone: 514.737.9701 / Toll Free: 888.275.4538
Fax: 514.342.3854 / Toll Free: 877.453.8832
sales@mvpgroupcorp.com / mvpgroupcorp.com