



# AX-824RHD

**Full Size Convection Oven with Humidity  
Digital controls - Reversing Fans - 4 shelves**

COMES WITH  
POWER CORD  
NO PLUG  
INCLUDED



<b>Digital controls</b>	Time, temperature, humidity, 3 cooking cycles for each program, automatic pre-heating
<b>Load capacity</b>	4 shelves for full size sheet pans
<b>High speed reversing fans</b>	2 (3,200 rpm)
<b>Space between shelves</b>	3.14" (80 mm)
<b>Power requirements</b>	5,600 Watts / 208-240 V / 60 / 1 Oven supplied with power cord only no plug
<b>Temperature</b>	86° - 500° F
<b>Equipped with</b>	16 hour timer - Signal at end of cycle
<b>Cavity size (inches)</b>	29.33"x19.29"x13.58" (WxDxH)
<b>Unit dimensions (inches)</b>	33.5" x 30.2" x 25.9" (WxDxH)
<b>Shipping dimensions (inches)</b>	35.44" x 31.10" x 29.53" (WxDxH)
<b>Net / Ship weight</b>	126 lb / 154 lb

## Features

- Advanced airflow design
- Automatic high speed reversing fans
- Digital programmable controls / 99 programs / automatic pre-heating / 3 cooking cycles for each program
- Interior halogen light
- Includes electro valve for direct water connection
- Micro safety switch shuts oven off when door is open
- Heavy duty stainless steel body construction
- "Cold Door" design with double pane glass
- Reinforced door hinges
- Oven door can support weight limit of 80 lbs.
- Oven cavity is insulated with ultra-high temperature fiberglass insulation
- 4 Stainless steel wire shelves
- Ovens can be stacked (kit required)
- Warranty: 2 years parts & 1 year labor exclusive of lights, gaskets and glass

## OVEN STANDS & PROOFERS



**AX-801 Oven Stand**  
SHIP WT: **54 lbs**

- HD stand with tray slides for full size sheet pans
- Dimensions: 33.47" x 24.40" x 31.50"
- Accommodates any "8" series ovens



**AX-PR8**  
SHIP WT: **233 lbs**



- Capacity: 8 full size sheet pans
- Space between pans: 3"
- 208-240/60/1, 2000 Watts
- Heat setting up to 140°F
- Manual fill water supply in bottom tray

## CONVECTION ACCESSORIES



**DEFLECTOR**  
CODE: **124-DEF**

- 2 are required for the "8" series
- Air deflector plate for delicate baking

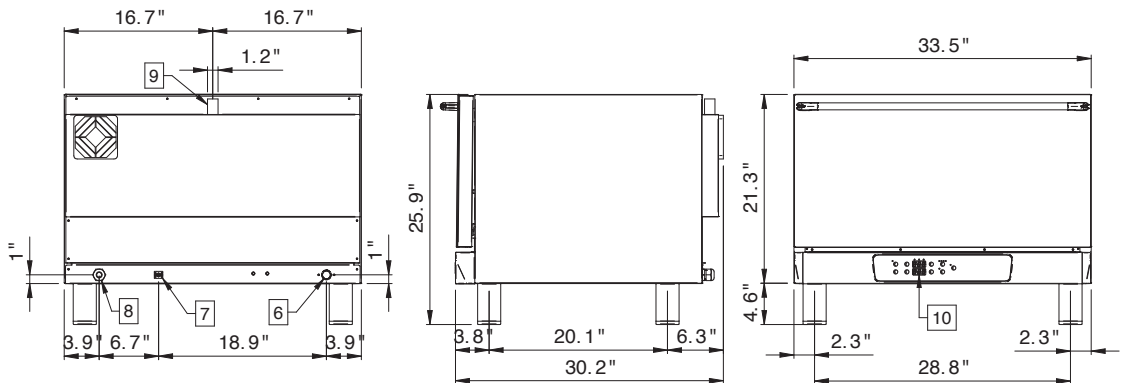


**STACKING KIT "8" SERIES**  
CODE: **124-KIT8**

- Stacking kit for "8" Series

## LINE DRAWINGS

AX-824RHD



🇨🇦 514-737-9701 🇺🇸 786-600-4687

TOLL FREE: 888-275-4538

TOLL FREE: 844-218-8477

5659 ROYALMOUNT AVE, MONTREAL, QC, CANADA H4P2P9  
12000 BISCAYNE BLVD, SUITE #108, MIAMI, FL, USA 33181

🌐 MVPGROUPCORP.COM ✉ SALES@MVPGROUPCORP.COM