



"WE MAKE THE KITCHEN BETTER!"

Toll Free: 855-855-0399 Email: info@atosausa.com
www.atosa.com | www.atosausa.com
California, Colorado, Florida, Georgia, Illinois,
Massachusetts, New Jersey, Ohio, Texas, Washington

280 lb. Ice Machine

MODELS:

YR280-AP-161

Standard Features

- Up to 283 lb. production ice machine (per 24 hrs)
- Built-in storage capacity of 88 lbs. (under counters)
- Durable stainless steel exterior
- Slanted black plastic bin door
- Ice scoop included
- Height includes leg levelers
- Air cooled condenser
- Removable air filter
- Power switch accessible without panel removal
- For freestanding or built-in applications
- Requires use of a drain
- ETL Listed and ETL Sanitation Listed
- Ice machine includes a 3M water filter system Model #ICE120-S



All Atosa Ice machines should have the included 3M water filter system & cartridge installed. Recommended 3M cartridge replacement is recommended every 6 months. *(may vary based on water quality)*

Maintenance and cleaning are not covered under warranty

1. Don't forget to leave the unit some room to breathe!
2. Please clean the condenser frequently to give the unit more fresh air.

Half-diced cube



Inlet hose



Drain hose



Ice scooper



Dimension(inch)

3/8×7/8×7/8



2 YEAR PARTS AND LABOR WARRANTY (US ONLY)
5 YEAR COMPRESSOR PART WARRANTY (US ONLY)



For confirmation and updates on the latest energy star models, please visit energystar.gov



"WE MAKE THE KITCHEN BETTER!"

Toll Free: 855-855-0399 Email: info@atosausa.com
 www.atosa.com | www.atosausa.com
 California, Colorado, Florida, Georgia, Illinois,
 Massachusetts, New Jersey, Ohio, Texas, Washington

SPECIFICATIONS

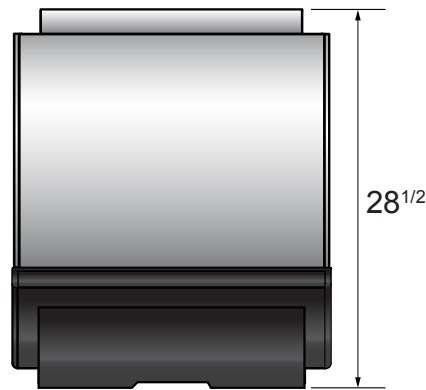
Model	Type	Refrigerant	Voltage (V/Hz/Ph)	Amps(A)	Watts(W)	kWh/100 lbs Ice	Ice-Making Capacity (lbs/hr)	Leg (inch)	Exterior Dimensions (inch)	Gross Weight (lbs)
YR280-AP-161	Cube ice	R290	115/60/1	7.2	704	5.97	283/24	6	23 ^{1/2} ×28 ^{1/2} ×38 ^{3/5}	187

PLAN VIEW

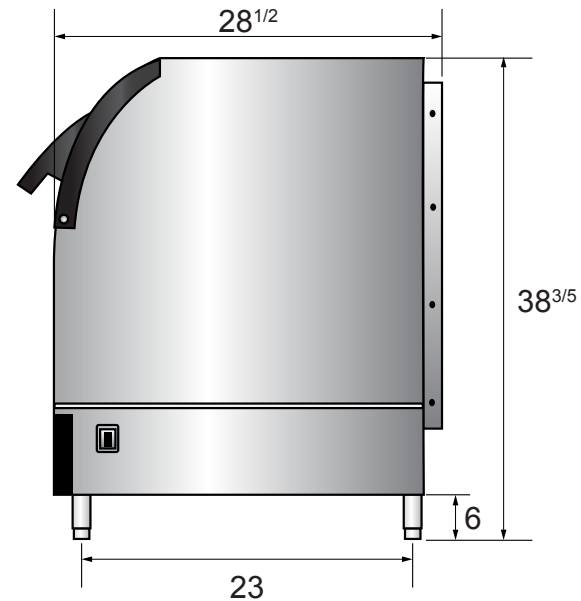
YR280-AP-161 Front View



YR280-AP-161 Top View



YR280-AP-161 Side View



Ice machine comparison

Models	Type	Refrigerant	Voltage (V/Hz/Ph)	Amps(A)	Watts(W)	kWh/100 lbs Ice	Ice-Making Capacity (lbs/hr)	Leg (inch)	Exterior Dimensions (inch)	Gross Weight (lbs)
YR140-AP-161	Cube ice	R290	115/60/1	3.1	363	6.13	142/24	6	23 ^{1/2} ×28 ^{1/2} ×38 ^{3/5}	176
YR450-AP-161	Cube ice	R290	115/60/1	9.6	965	5.04	460/24	6	30 ^{1/5} ×24 ^{9/20} ×21 ^{7/10}	158
YR800-AP-261	Cube ice	R-404a	220/60/1	7.5	1750	5.18	810/24	6	30 ^{1/5} ×24 ^{9/20} ×31 ^{7/10}	231