

Angle Curved Top Chest Freezer

Standard Features

- Atosa curved class Freezers are uniquely designed to store ice cream and all types of frozen merchandise and seasonal specialties.
- 3 inch insulation foam wall secures cold effect using environmentally friendly refrigeration system, and high energy efficiency.
- Maintains -10 ° F (-23.33 °C) to -1 °F, ideal for both ice cream and frozen food.
- Exterior white pre-coated steel cabinet is durable and permanent with big radius stylish blue plastic top and lid frames.
- Interior white pre-coated aluminum is NSF Sanitation approved, and is durable and easy to clean.
- Tempered glass slide lids with reflective film reduces solar heat gain, enhances energy efficiency and minimizes condensation.
- Standard door locks provides security prevents theft.
- Convenient defrost drain for easy cleaning.
- 2” (50MM) diameter stem castors.
- Standard Epoxy coated white basket to keep smaller items in place.

MODELS:

MMF9109 / MMF9112



MMF9109



MMF9112

For the best results of food preservation we recommend setting your freezer between 0 °F - 8 °F

1. Don't forget to leave the unit some room to breathe!
2. Please clean the condenser frequently to give the unit more fresh air.



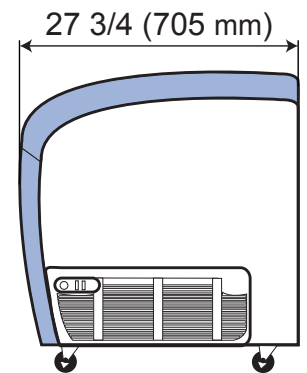
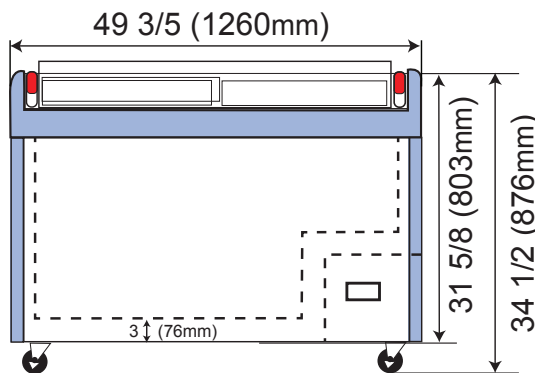
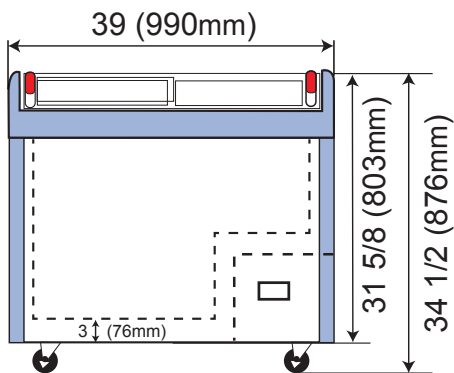
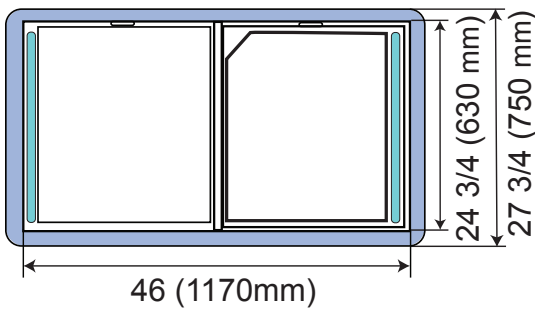
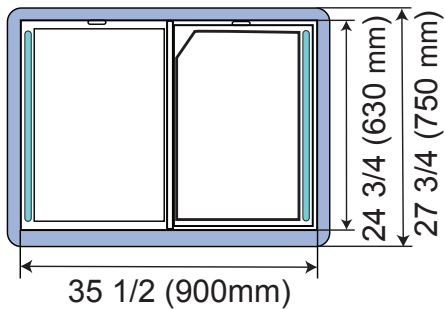
1 YEAR PARTS AND LABOR WARRANTY (US ONLY)
 5 YEAR COMPRESSOR PART WARRANTY (US ONLY)



SPECIFICATIONS

Model	Doors	Cu.Ft	Exterior Dimensions (wxdxh)	Voltage	Watts (watt)	Weight	Refrigerant
MMF-9109	1	9.2	39 × 27 3/4 × 34 1/2	115/60/1	118 W	125 lbs	R290
MMF-9112	1	12.7	49 3/5 × 27 3/4 × 34 1/2	115/60/1	230 W	147 lbs	R290

PLAN VIEW



MMF9109

MMF9112