



**“WE MAKE THE KITCHEN BETTER!”**

Toll Free: 855-855-0399 Email: [info@atosausa.com](mailto:info@atosausa.com)  
www.atosausa.com | www.atosausa.com  
California, Colorado, Florida, Georgia, Illinois,  
Massachusetts, New Jersey, Ohio, Texas, Washington

# Undercounter Freezers

## MODELS:

MGF8405GR / MGF8406GR

## Standard Features

- Stainless steel exterior & interior with reinforced stainless steel top
- Environmentally friendly R290 refrigerant
- Dixell digital controller
- Maintains temperatures between -8°F – 0°F
- Recessed door handle(s)
- Self-closing door(s) with stay open feature
- Magnetic door gasket(s) standard for positive door seal
- Pre-installed casters
- One(1) pre-installed shelf per section



**MGF8405GR**

## Optional Accessories

- Extra shelves – includes 4 shelf clips per shelf  
MGF8405GR shelf part #: W0402568  
MGF8406GR shelf part #: W0402171



**MGF8406GR**

For the best results of food preservation we recommend setting your freezer between -8 °F to 0 °F

1. Don't forget to leave the unit some room to breathe!
2. Please clean the condenser frequently to give the unit more fresh air.



2 YEAR PARTS AND LABOR WARRANTY (US ONLY)  
5 YEAR COMPRESSOR PART WARRANTY (US ONLY)





**"WE MAKE THE KITCHEN BETTER!"**

Toll Free: 855-855-0399 Email: info@atosausa.com  
 www.atosa.com | www.atosausa.com  
 California, Colorado, Florida, Georgia, Illinois,  
 Massachusetts, New Jersey, Ohio, Texas, Washington

## SPECIFICATIONS

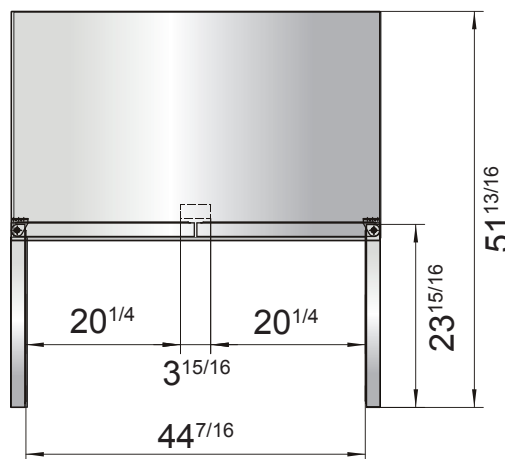
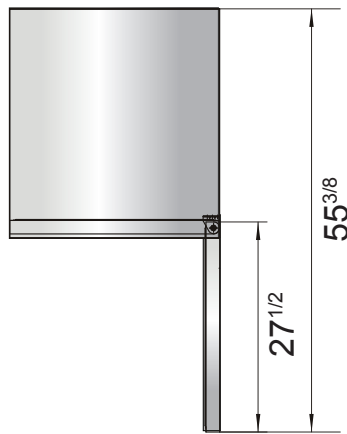
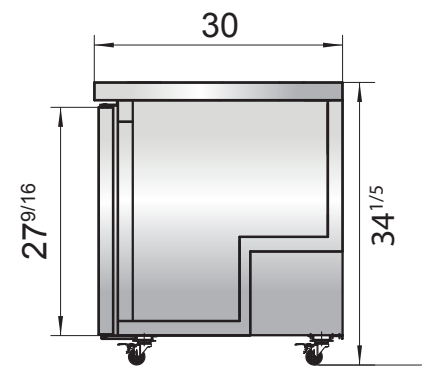
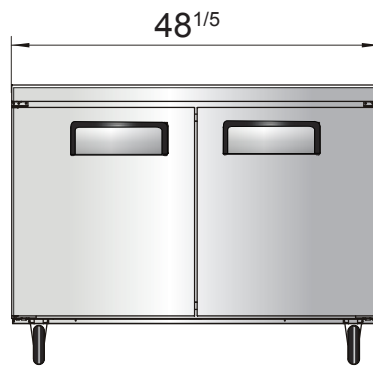
Models	Door	Capacity (Cu.Ft.)	Shelves	Casters (inch)	Amps (A)	Voltage (V/Hz/Ph)	HP	Refrigerant	Exterior Dimensions (inch)	Net Weight (lbs)	Gross Weight (lbs)
MGF8405GR	1	7.2	1	2	1.8	115/60/1	1/5	R290	27 <sup>1/2</sup> ×30×34 <sup>1/5</sup>	146	179
MGF8406GR	2	13.4	2	2	2.6	115/60/1	1/4	R290	48 <sup>1/5</sup> ×30×34 <sup>1/5</sup>	203	245

## PLAN VIEW

**MGF8405GR**



**MGF8406GR**



Casters



Epoxy shelves



Rear grate



Temperature control



**NEMA 5-15P**



NEMA  
15A/125V