

Project:	Quantity:
Model #:	Approval:

For Commercial Use Only

XFS Universal Splash Guard for Deep Fryers – 20-1/2" x 18"



FEATURES

- ▶ Durable 18 gauge 304 series stainless steel
- ▶ 20-1/2" x 18" measurement
- ▶ Universal design compatible with most fryers
- ▶ Space saving design
- ▶ Minimizes post-frying cleanup time
- ▶ Easy installation
- ▶ Protects walls & equipment from grease splatters

Shield kitchen walls and equipment from oil splatters while deep frying with a stainless steel splash guard. Ideal for making a more secure kitchen area, and speed up cleanup time. Its universal design and seamlessly on the side of most fryers by just sliding it on. Built from 18 gauge, 304 stainless steel, durable strength, and corrosion-resistant can last the length of time in your busy commercial kitchen.

US Restaurant Group is a US supplier of premium quality commercial cooking, refrigeration and food preparation equipment. Our aim is simple. Produce industry-leading commercial restaurant equipment at reasonable prices, and back it all up with an easy to understand, no nonsense warranty that people can count on.

Project:	Quantity:
Model #:	Approval:

For Commercial Use Only

TECHNICAL DATA

DIMENSIONS

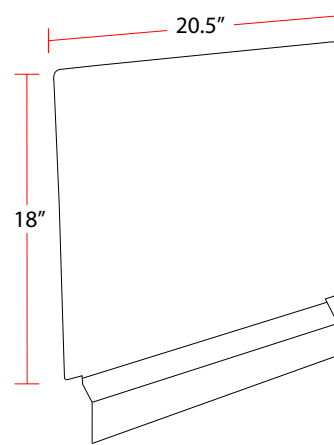
Overall Dimensions	20.5"L x 18"H
Packaging Dimensions	21"L x 2"W x 20"H
Unit Weight	18 lb.
Shipping Weight	20 lb.

DIAGRAM

MODEL:XFS

MFR MODEL:

FRONT VIEW



OVERALL VIEW

